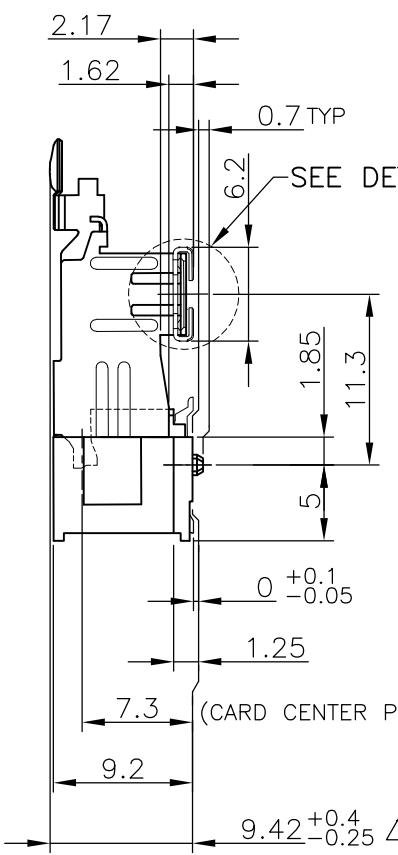
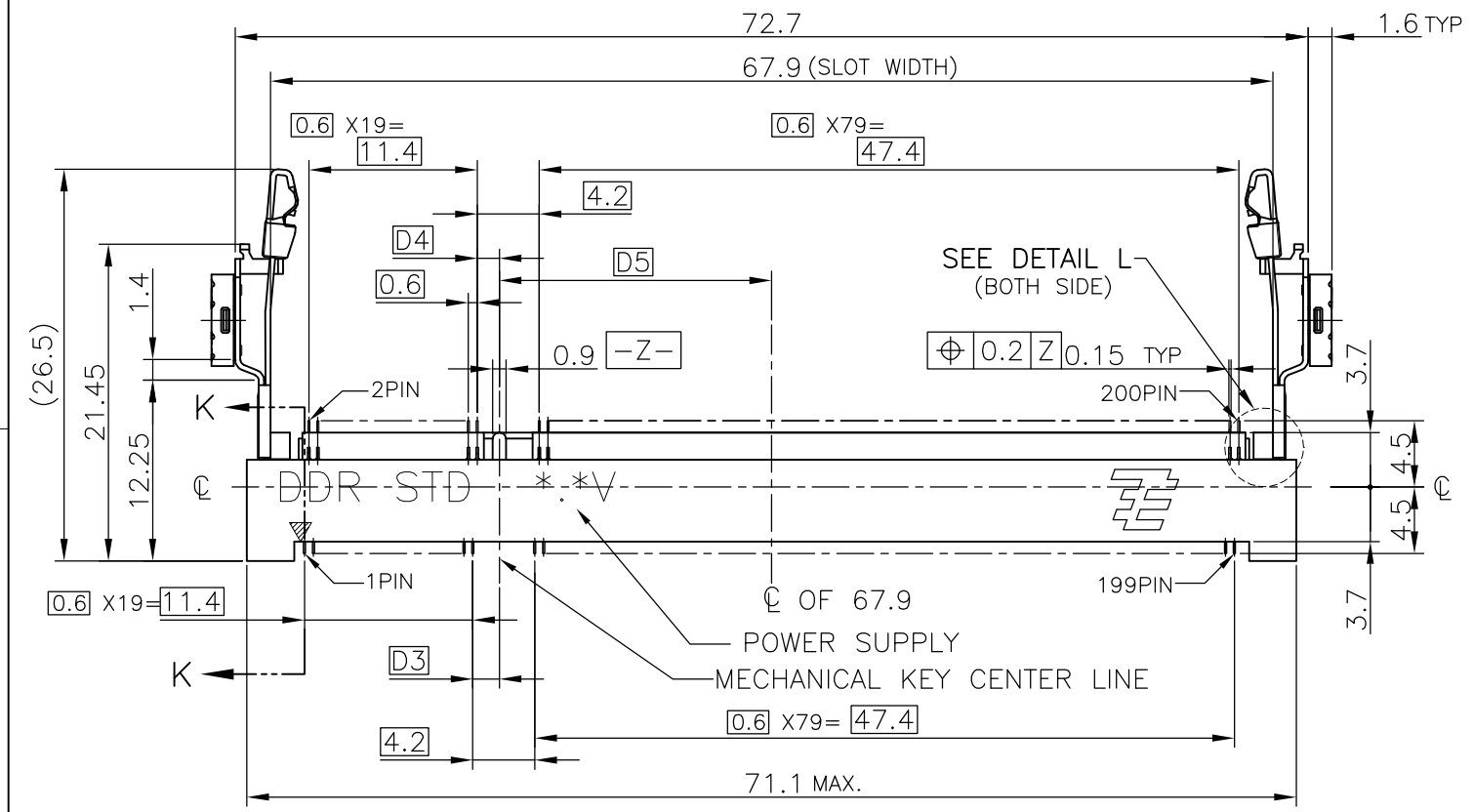
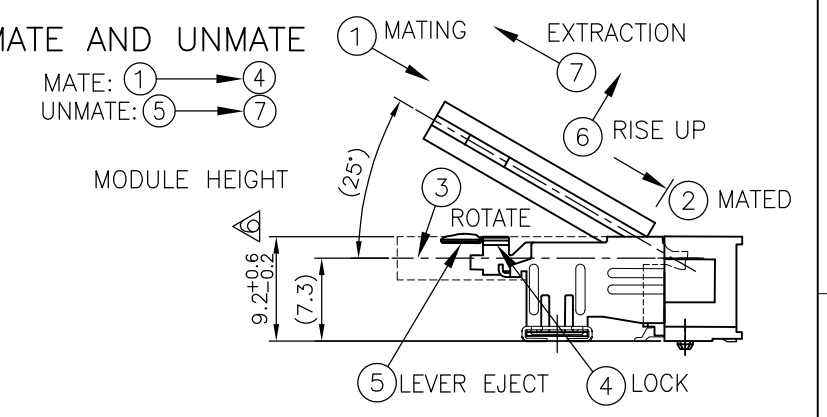
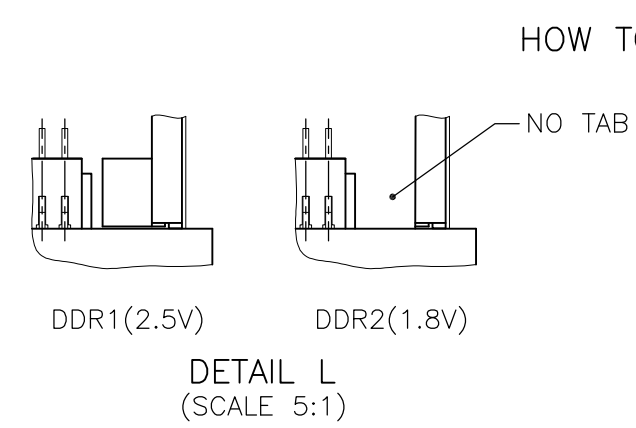
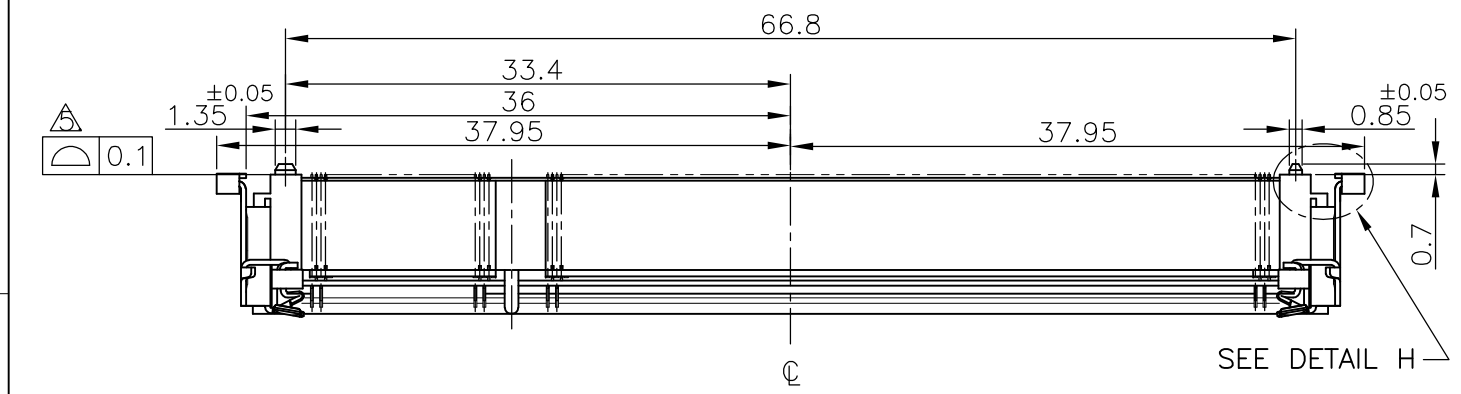
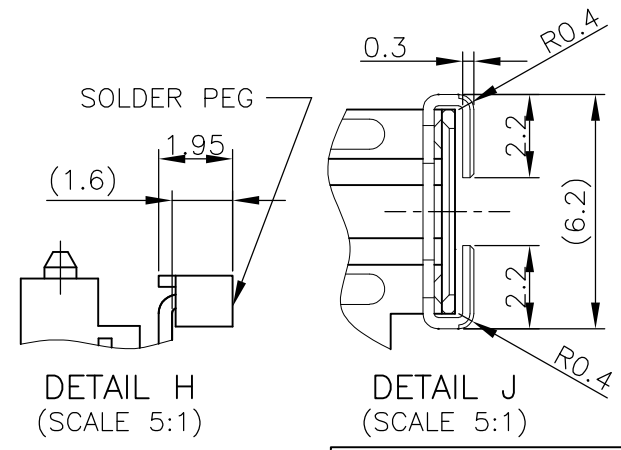
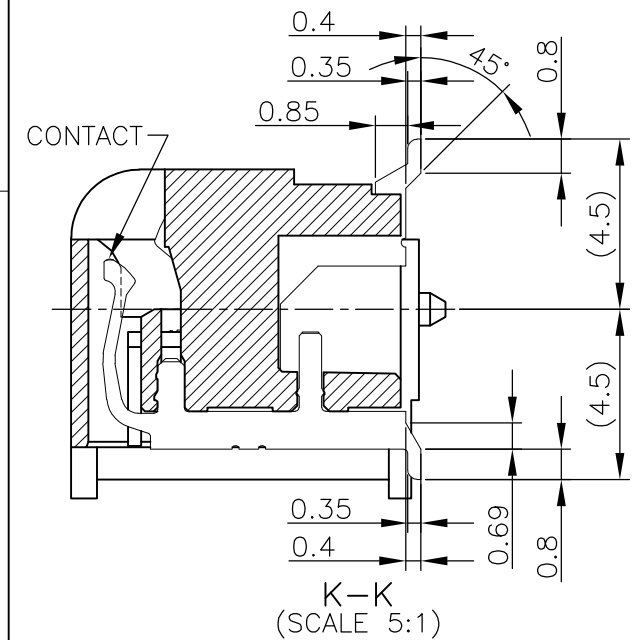


THIS DRAWING IS UNPUBLISHED. RELEASED FOR PUBLICATION OCT. 2002.  
 © COPYRIGHT 2002 By - ALL RIGHTS RESERVED.

| LOC |   | DIST |     | REVISIONS                 |         |     |      |
|-----|---|------|-----|---------------------------|---------|-----|------|
| ES  | / | P    | LTR | DESCRIPTION               | DATE    | DWN | APVD |
|     |   |      | E3  | REVISED PER ECO-11-005033 | 26MAR11 | RK  | HMR  |



- (APPLIED TO SHEET 1-2)
- MATERIAL ; HOUSING: HIGH TEMPERATURE THERMO PLASTIC UL94V-0  
 CONTACT: COPPER ARROY  
 LOCK LEVER: STAINLESS STEEL  
 SOLDER PEG: COPPER ARROY
  - FINISH ; CONTACT AREA: GOLD FLASH ON 0.0013MIN ALL OVER NICKEL.  
 SOLDERING AREA: GOLD FLASH PLT.  
 SOLDER PEG: TIN PLATING.
- MECHANICAL KEY POSITION OF CONNECTOR SEE TABLE.
  - TOLERANCES NON-CUMULATIVE.
  - COPLANARITY : 0.1 MAX.
  - THE FLOATING VALUE BY SOLDERING IS NOT INCLUDED.
  - NOT MATING CONDITION.
  - IF THE MODULE DOESN'T INSERT AND LOCK IN THE LATCH SMOOTHLY, OPEN WIDE BOTH LATCHES BY MANUAL. AND THE MODULE MUST BE INSERTED AND LOCKED IN THE LATCH.
  - THE SHAPE OF HOUSING AT KEY AREA IS FREE BASICALLY TO IMPROVE HOUSING WARPAGE



GENERAL TOLERANCE  
 10 ≥ : ±0.2  
 30 ≥ > 10: ±0.25  
 100 ≥ > 30: ±0.3  
 ANGLES: ±3°

|                |                     |       |     |     |     |           |
|----------------|---------------------|-------|-----|-----|-----|-----------|
| AVAILABLE      | 1.8V (DDR2)         | 17.55 | 2.4 | 2.7 | 200 | 1612618-4 |
| AVAILABLE      | 2.5V (DDR1)         | 18.45 | 1.5 | 1.8 | 200 | 1612618-1 |
| TOOLING STATUS | POWER SUPPLY (TYPE) | D5    | D4  | D3  | POS | PART NO.  |

THIS DRAWING IS A CONTROLLED DOCUMENT.

|                  |            |         |
|------------------|------------|---------|
| DWN              | J.TANIGAWA | 21OCT02 |
| CHK              | H.KODAMA   | 21OCT02 |
| APVD             | I.ENOMOTO  | 21OCT02 |
| PRODUCT SPEC     | 108-5701   |         |
| APPLICATION SPEC |            |         |
| WEIGHT           | 8.3g       |         |

STE TE Connectivity

NAME: DDR1 & DDR2 SODIMM SOCKET  
 0.6mm PITCH 200POS  
 9.2mm HEIGHT STANDARD TYPE

|      |           |            |               |
|------|-----------|------------|---------------|
| SIZE | CAGE CODE | DRAWING NO | RESTRICTED TO |
| A3   | 00779     | C-1612618  |               |

CUSTOMER DRAWING SCALE 2:1 SHEET 1 OF 4 REV E3

4

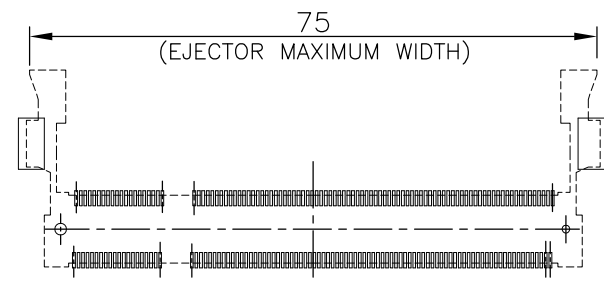
3

2

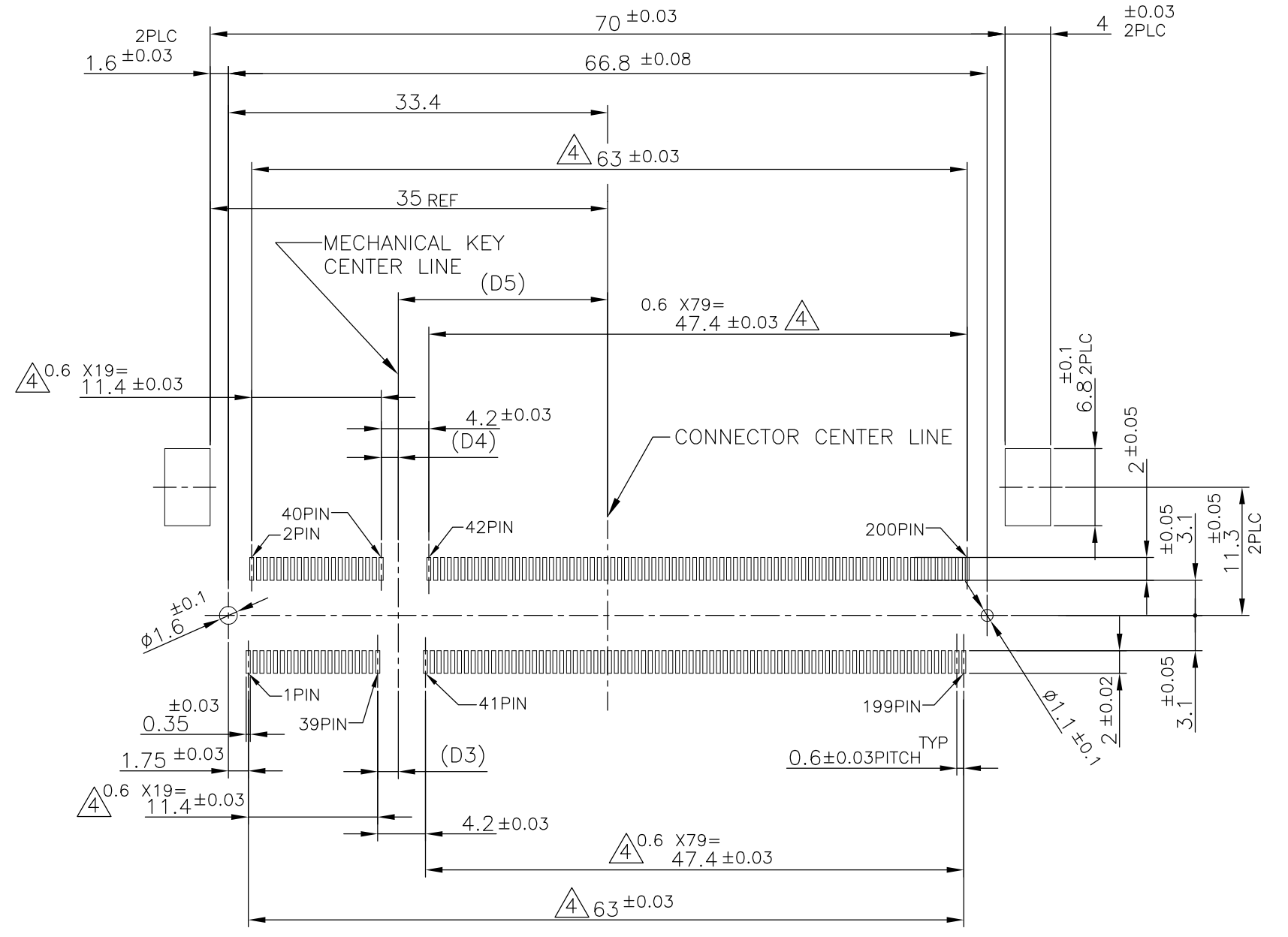
1

THIS DRAWING IS UNPUBLISHED. RELEASED FOR PUBLICATION OCT ,2002.  
 © COPYRIGHT 2002 By - ALL RIGHTS RESERVED.

| LOC | DIST | REVISIONS   |      |     |      |
|-----|------|-------------|------|-----|------|
| P   | LTR  | DESCRIPTION | DATE | DWN | APVD |
| ES  |      | SEE SHEET 1 | -    | -   | -    |



REAL SIZE (SCALE 1:1)

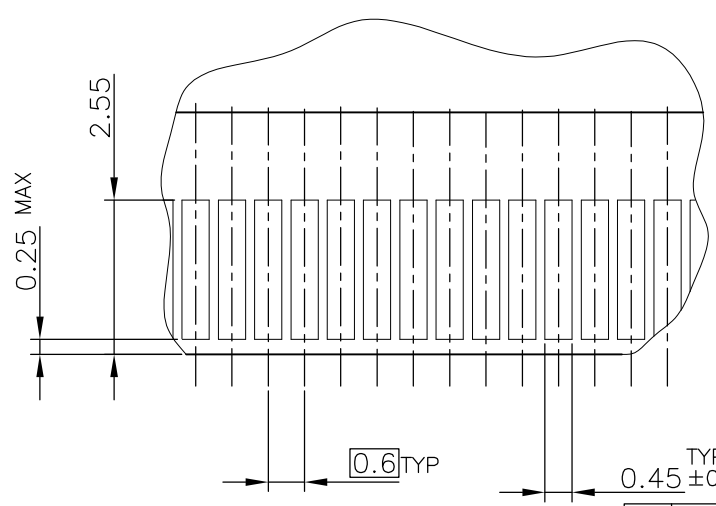
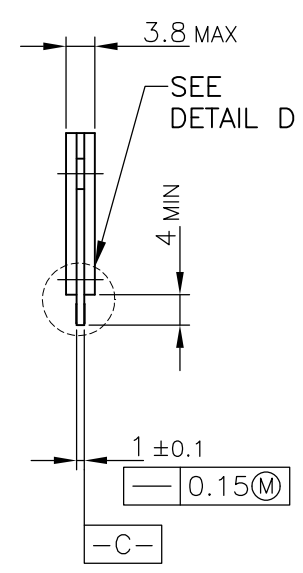
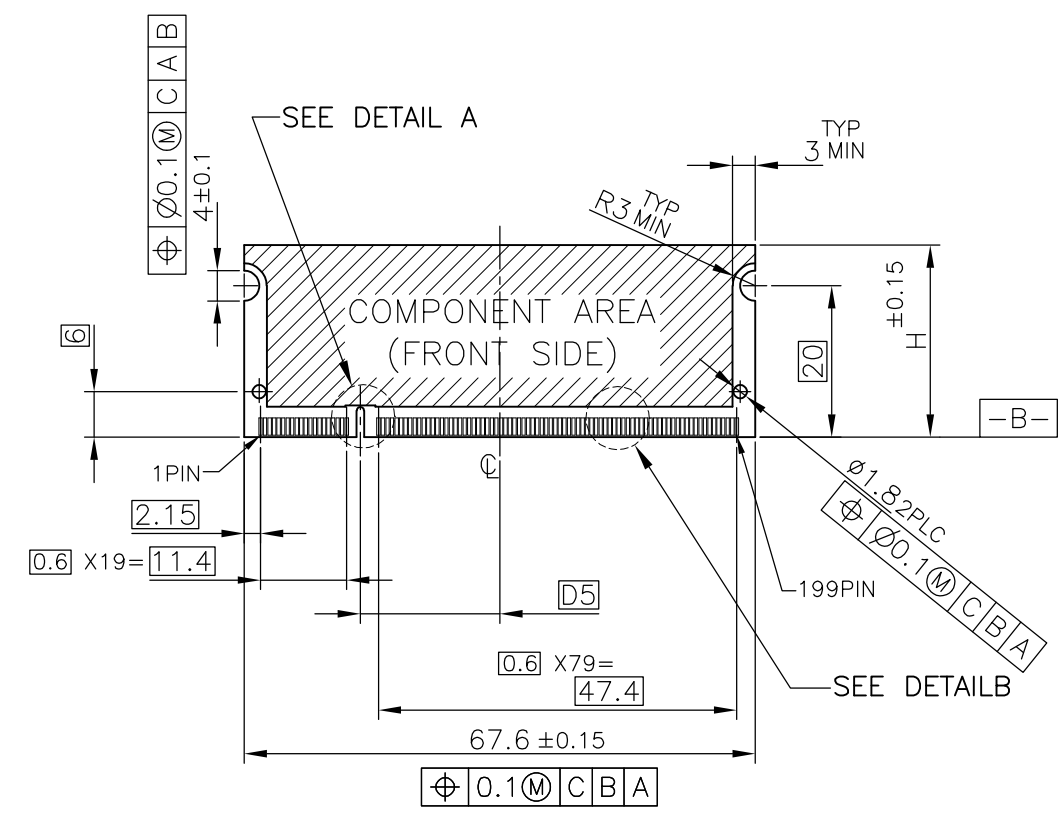


REFERENCE P.C. BOARD PATTERN LAYOUT FOR DUAL USE  
(CONNECTOR MOUNTING SIDE)

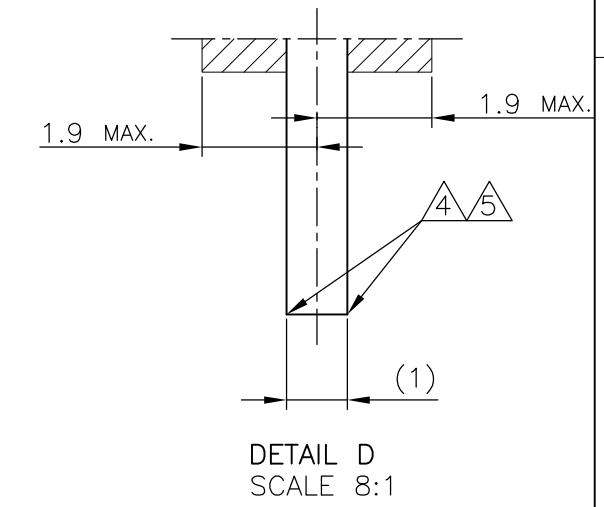
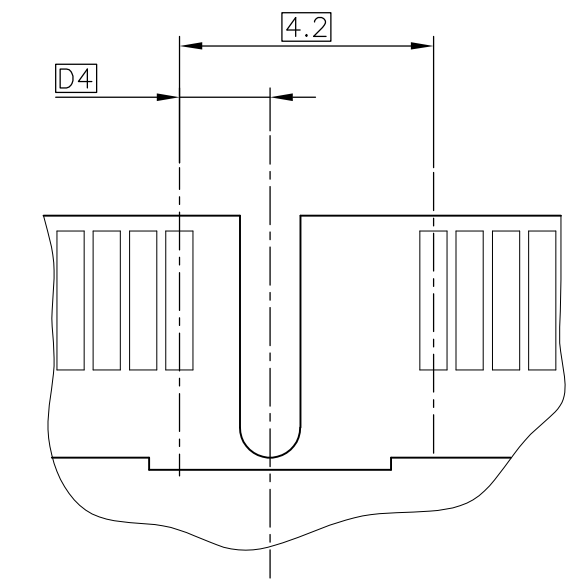
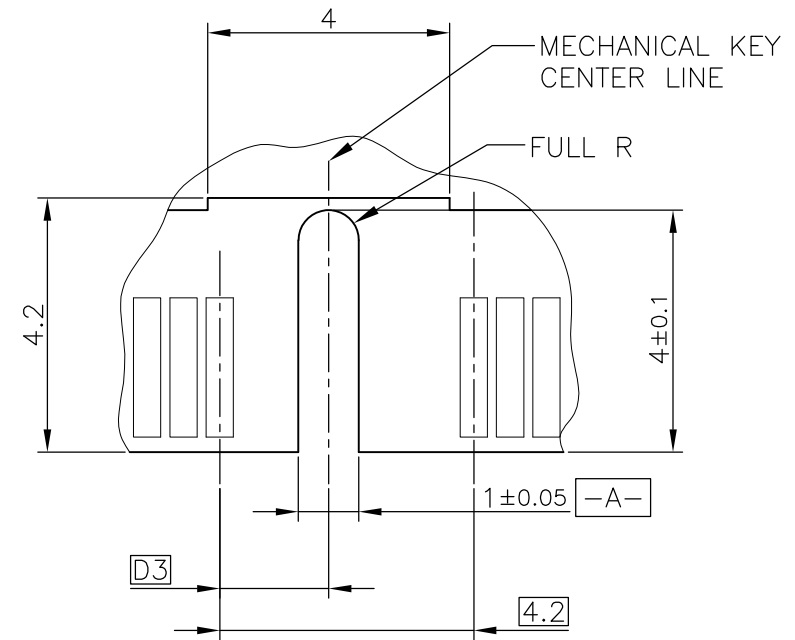
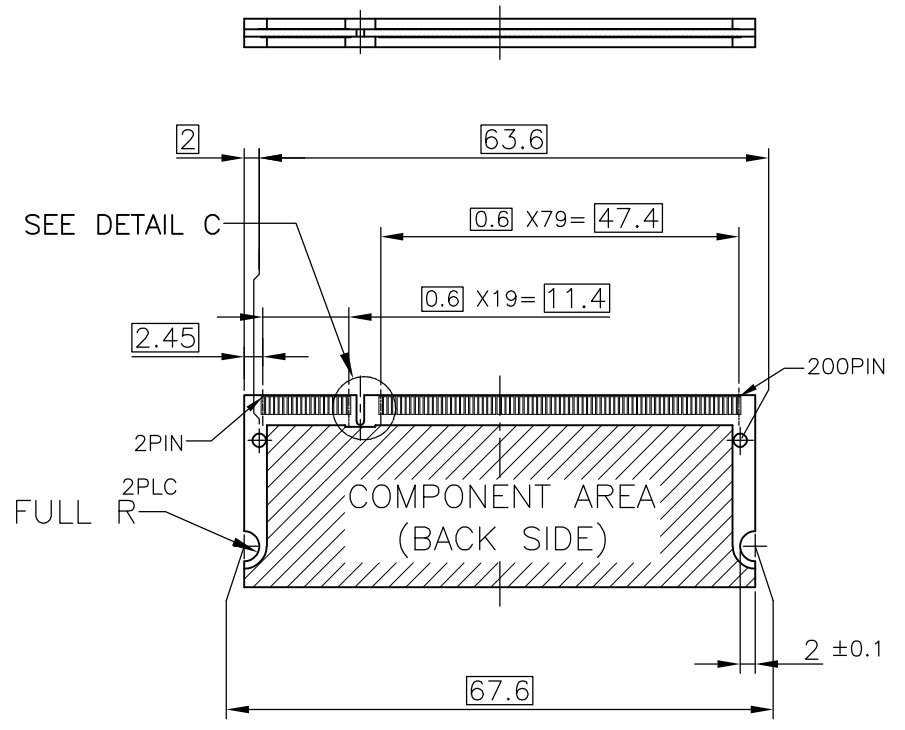
|  |  |                  |                            |           |            |
|--|--|------------------|----------------------------|-----------|------------|
| THIS DRAWING IS A CONTROLLED DOCUMENT. |  | DWN              | <b>STE</b> TE Connectivity |           |            |
| DIMENSIONS: MM                         |  | CHK              |                            |           |            |
| TOLERANCES UNLESS OTHERWISE SPECIFIED: |  | APVD             | NAME                       |           |            |
| 0 PLC ±                                |  | PRODUCT SPEC     | DDR1 & DDR2 SODIMM SOCKET  |           |            |
| 1 PLC ±                                |  | APPLICATION SPEC | 0.6mm PITCH 200POS         |           |            |
| 2 PLC ±                                |  | WEIGHT           | SIZE                       | CAGE CODE | DRAWING NO |
| 3 PLC ±                                |  | CUSTOMER DRAWING | A3                         | 00779     | C-1612618  |
| 4 PLC ±                                |  |                  | SCALE                      | SHEET     | REV        |
| ANGLES ±                               |  | RESTRICTED TO    | NTS                        | 2 OF 4    | E3         |
| FINISH                                 |  |                  |                            |           |            |

THIS DRAWING IS UNPUBLISHED. RELEASED FOR PUBLICATION OCT ,2002.  
 © COPYRIGHT 2002 By - ALL RIGHTS RESERVED.

| LOC | DIST | REVISIONS |     |             |      |     |      |
|-----|------|-----------|-----|-------------|------|-----|------|
| ES  |      | P         | LTR | DESCRIPTION | DATE | DWN | APVD |
|     |      | -         |     | SEE SHEET 1 | -    | -   | -    |



- (APPLIED TO SHEET 3)
- 1 TOLERANCES ON ALL DIMENSIONS ±0.15 UNLESS OTHERWISE SPECIFIED.
  - 2 P.C. BOARD THICKNESS APPLIES ACROSS TABS AND INCLUDES PLATING AND/OR METALIZATION.
  - 3 FINISH OF PAD : GOLD PLATING 0.00076 MIN. OVER Ni PLATING 0.002MIN.
- △ NO BURR.
- △ CHAMFER 0.25 MAX x 45° IF EXIST.



推奨基板仕様  
 RECOMMENDED MATING P.C.B CONFIGURATION

THIS DRAWING IS A CONTROLLED DOCUMENT.

|                   |  |
|-------------------|--|
| DIMENSIONS:<br>MM | TOLERANCES UNLESS OTHERWISE SPECIFIED: |
|                   | 0 PLC ±                                |
|                   | 1 PLC ±                                |
|                   | 2 PLC ±                                |
|                   | 3 PLC ±                                |
|                   | 4 PLC ±                                |
|                   | ANGLES ±                               |
| MATERIAL          | FINISH ±                               |

|                  |
|------------------|
| DWN              |
| CHK              |
| APVD             |
| PRODUCT SPEC     |
| APPLICATION SPEC |
| WEIGHT           |
| CUSTOMER DRAWING |

|       |              |       |     |     |
|-------|--------------|-------|-----|-----|
| 31.75 | 1.8V         | 17.55 | 2.4 | 2.7 |
| 25.4  | 2.5V         | 18.45 | 1.5 | 1.8 |
| H     | POWER SUPPLY | D5    | D4  | D3  |

**STE** TE Connectivity

NAME: DDR1 & DDR2 SODIMM SOCKET  
 0.6mm PITCH 200POS  
 9.2mm HEIGHT STANDARD TYPE

|      |           |            |               |
|------|-----------|------------|---------------|
| SIZE | CAGE CODE | DRAWING NO | RESTRICTED TO |
| A3   | 00779     | C-1612618  |               |

SCALE: NTS SHEET: 3 OF 4 REV: E3

4

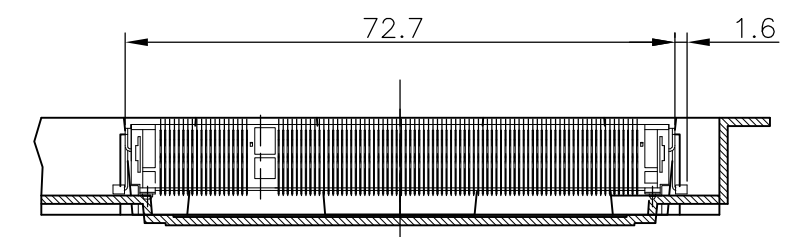
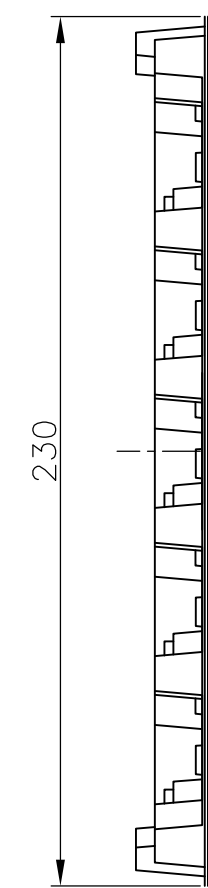
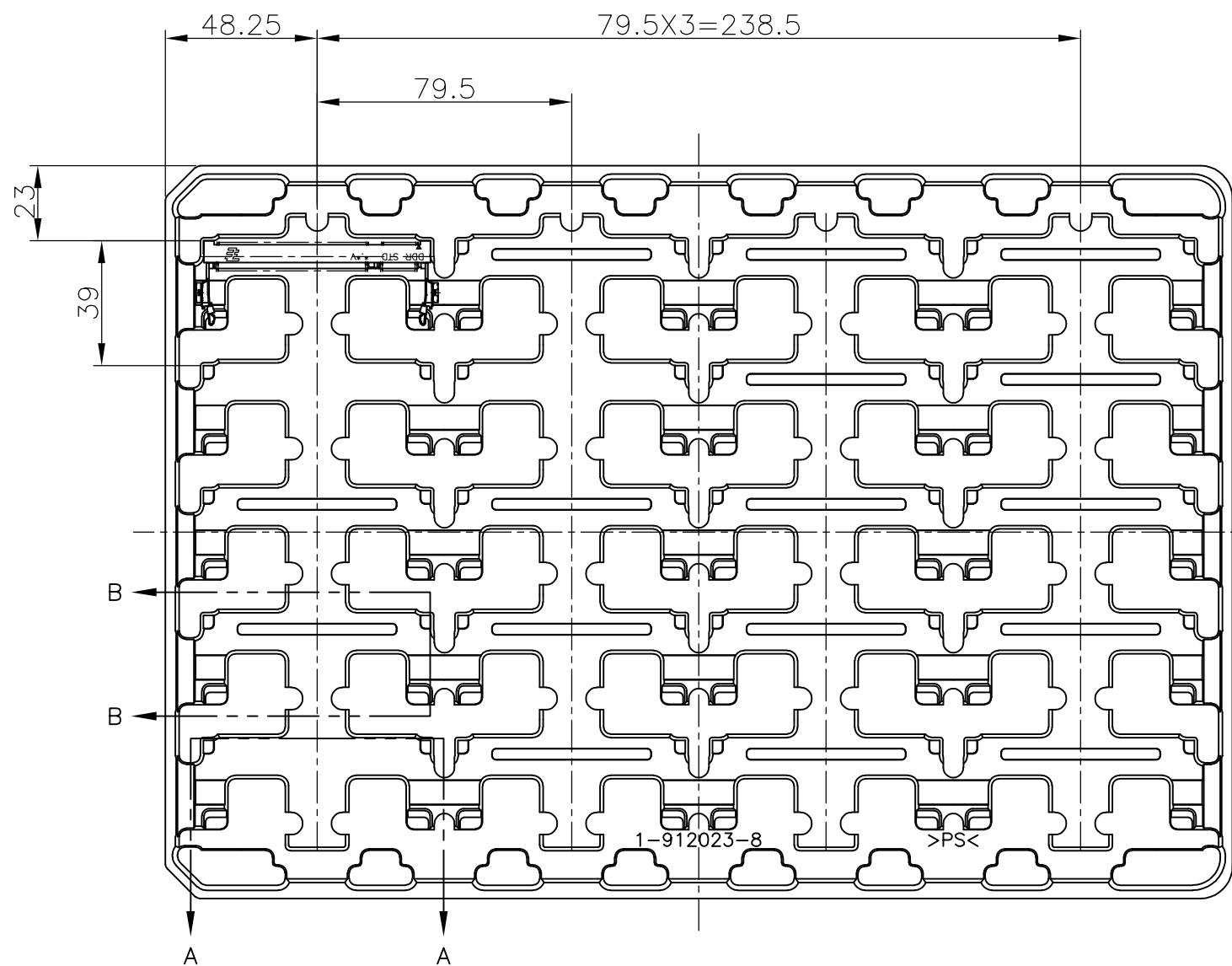
3

2

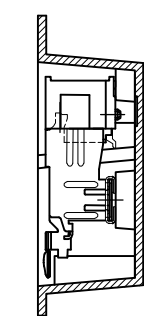
1

THIS DRAWING IS UNPUBLISHED. RELEASED FOR PUBLICATION OCT , 2002.  
 © COPYRIGHT 2002 By - ALL RIGHTS RESERVED.

| LOC | DIST | REVISIONS   |      |     |      |
|-----|------|-------------|------|-----|------|
| P   | LTR  | DESCRIPTION | DATE | DWN | APVD |
| ES  |      | SEE SHEET 1 | -    | -   | -    |

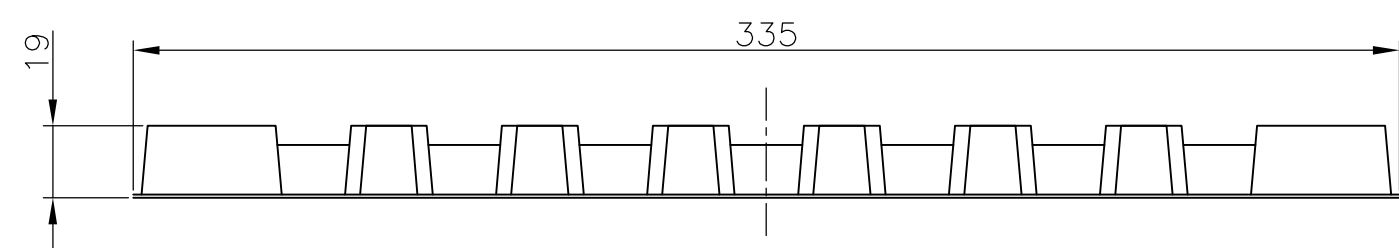


A-A  
SCALE 1:1  
(180DEG. ROTATE)



B-B  
SCALE 1:1

1. THE DIRECTION OF EACH CONNECTOR ON A TRAY IS REFERRED TO THIS DRAWING.
2. GENERAL TOLERANCE: ±0.5



|           |           |
|-----------|-----------|
| 20EA/TRAY | 1612618-4 |
| 20EA/TRAY | 1612618-1 |
| QTY       | P/N       |

|  |  |              |  |      |           |            |               |
|--|--|--------------|--|------|-----------|------------|---------------|
| THIS DRAWING IS A CONTROLLED DOCUMENT.   |  | DWN          | TE Connectivity<br>NAME<br>DDR1 & DDR2 SODIMM SOCKET<br>0.6mm PITCH 200POS<br>9.2mm HEIGHT STANDARD TYPE |      |           |            |               |
| DIMENSIONS: MM   |  | CHK          |  |      |           |            |               |
| TOLERANCES UNLESS OTHERWISE SPECIFIED:   |  | APVD         |  |      |           |            |               |
| 0 PLC ± 0.5<br>1 PLC ± 0.5<br>2 PLC ± 0.5<br>3 PLC ± 0.5<br>4 PLC ± 0.5<br>ANGLES ± 3° |  | PRODUCT SPEC |  |      |           |            |               |
| MATERIAL   |  | FINISH       | APPLICATION SPEC   | SIZE | CAGE CODE | DRAWING NO | RESTRICTED TO |
|  |  |              | WEIGHT   | A3   | 00779     | C-1612618  |               |
| CUSTOMER DRAWING   |  |              | SCALE  | 1:2  | SHEET     | 4 OF 4     | REV E3        |